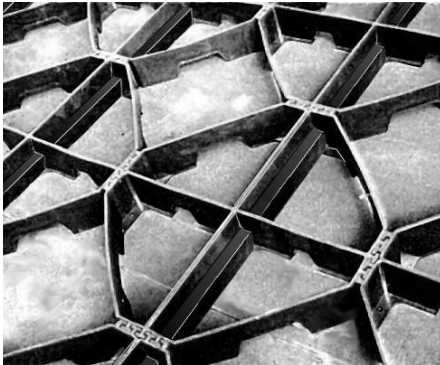


# Product Information

## Georaster®

Order No. 3400



Grid element of recycled polyethylene; applicable shear force protection on pitched green roofs; used as reinforcement for pavings, etc.

### Technical Data

#### Georaster®

Stable grid element, applicable as shear force protection on pitched green roofs in connection with stable eaves, or additional shear barriers, or as reinforcement for gravel-lawn pavings.

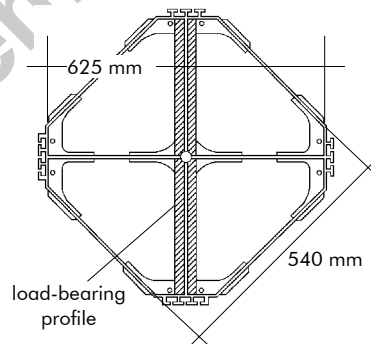
Material:	Polyethylene (PE-HD), ca. 80% recycled material
Height:	ca. 100 mm
Grid dimension:	ca. 625 mm
Weight:	ca. 1.8 kg/element
Compressive strength:	max. 8 kN/m in shear direction
Dimensions:	ca. 540 mm x 540 mm

### Features

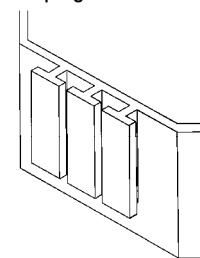
- light weight structure with high load bearing capacity and shear strength
- full reinforcement of the area due to T-plug connections
- walkable
- driveable after complete and compacted filling
- permeable to water
- large root space available
- environmentally friendly
- various applications

### Dimensions

#### "Georaster®"



The connection of the elements is done with T-plug connections



### Specification Suggestion

Grid elements of polyethylene (PE-HD), contains 80 % recycled material, height ca. 100 mm, grid dimension 625 mm, with load-bearing profile and integrated T-plug connections, delivery and installation

according to manufacturer's instructions.

Make: ZinCo Georaster®  
Enquiries: ZinCo GmbH,  
Phone: +49 7022 6003-0